

PRODUCT INFORMATION PACKET

Model No: 5KC46LN0269X
Catalog No: 4686
3/4,1725,DP,56Z,1/60/115/208-230
Fan and Blower



Regal and Marathon are trademarks of Regal Beloit Corporation or one of its affiliated companies.
©2018 Regal Beloit Corporation, All Rights Reserved. MC017097E



Product Information Packet: Model No: 5KC46LN0269X, Catalog No:4686 3/4,1725,DP,56Z,1/60/115/208-230

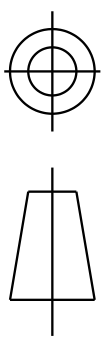
Nameplate Specifications

Output HP	3/4 Hp	Output KW	0.56 kW
Frequency	60 Hz	Voltage	115/208-230 V
Current	13.3,6.5-6.6 A	Speed	1725 rpm
Service Factor	1.25	Phase	1
Efficiency	70 %	Duty	Continuous
Insulation Class	B	KVA Code	L
Frame	56Z	Enclosure	Drip Proof
Overload Protector	AUTO	Ambient Temperature	40 °C
Drive End Bearing Size	6203	Opp Drive End Bearing Size	6203
UL	Recognized	CSA	Yes
CE	N		

Technical Specifications

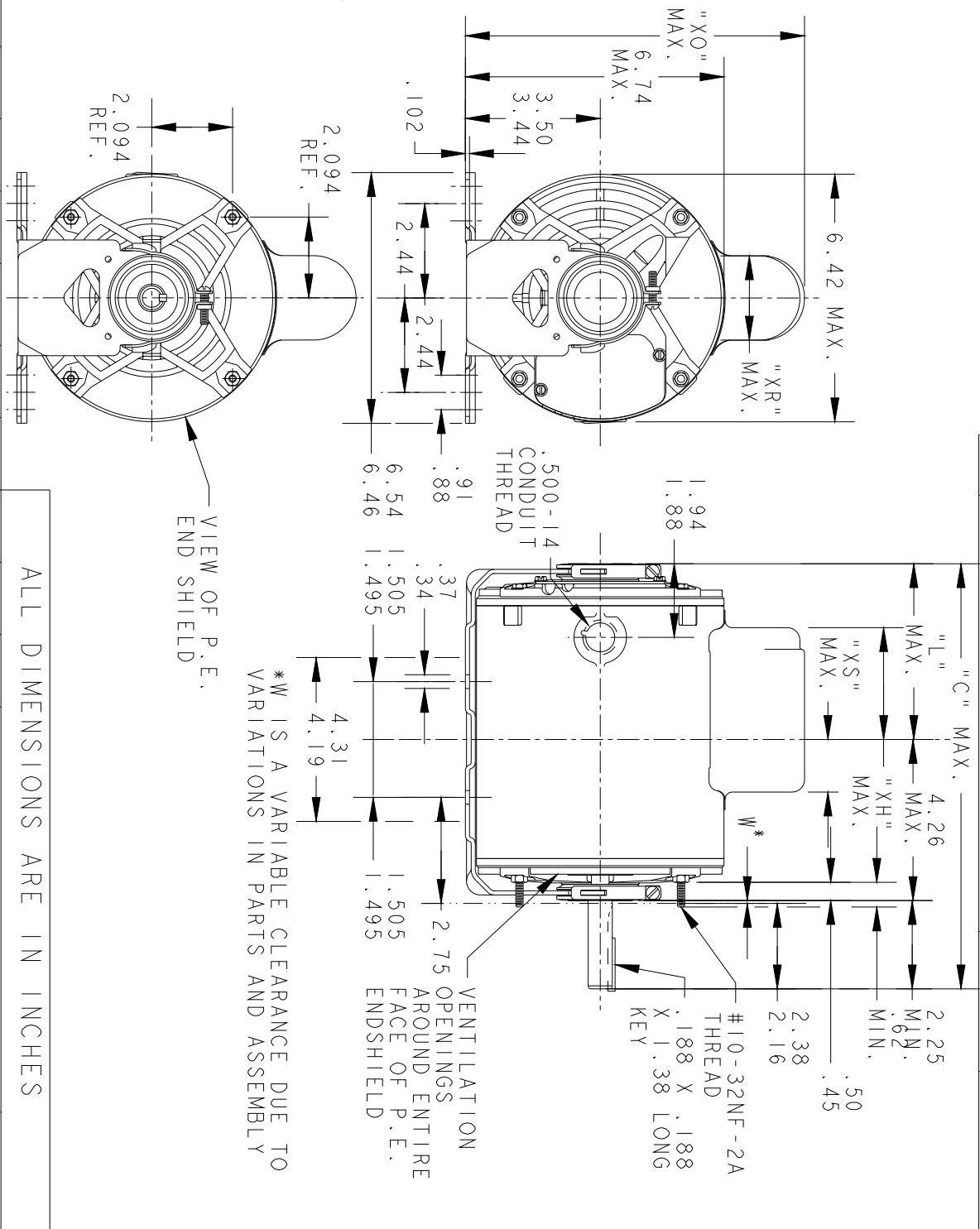
Electrical Type	Capacitor Start Induction Run	Starting Method	SM
Poles	4	Rotation	Counterclockwise/Clockwise
Mounting	Resilient Base	Motor Orientation	ANY
Drive End Bearing	BALL	Opp Drive End Bearing	BALL
Frame Material	Rolled Steel	Overall Length	11.15 in
Frame Length	6.55 in	Shaft Diameter	0.63 in
Shaft Extension	2.25 in	Thru-bolts Extension	0
Outline Drawing	52A107762P1	Connection Diagram	52A105383AA

This is an uncontrolled document once printed or downloaded and is subject to change without notice. Date Created: 10/08/2018



REVISIONS

REV.	DESCRIPTION	DATE	APPROVED
3	CHG TO RBC FORMAT PER IS05-1777	03/02/06	SUDHA
4	CHG "XS" DIMENSION PER IS08-2394	07/01/08	MADHU
5	"XH", "XS" DIM CHANGED AS PER IS12-1475	04/19/12	KOTI



*W IS A VARIABLE CLEARANCE DUE TO VARIATIONS IN PARTS AND ASSEMBLY

ALL DIMENSIONS ARE IN INCHES

P	TYPE	FR SIZE	NEMA FR	"C"	"L"	"XH"	"XO"	"XR"	"XS"	MIN. SHELL
2	KC	49	56Z	11.75	5.22	1.75	8.22	1.60	3.45	7.15
1	KC	46	56Z	11.15	4.62	3.03	8.22	1.60	2.73	6.55

SIGNATURES

MODEL	M.D. PAPER	DATE
DETAIL		
CHECKED		
ENGRG		
MFG		
QUALITY		
ISSUED	MDP	05/24/96



REGAL-BELOTT CORPORATION

OUTLINE

TITLE

GENERAL PURPOSE MOTOR DRIP PROOF - BALL BEARING
 -RESILIENT BASE EXTENDED CLAMP SCREWS F.M.F. - 40 FRAME REDESIGN (SKC46A00060X)

FOR ADDITIONAL INFO REFER TO:

APPLIED PRACTICES	DIMENSIONS ARE IN INCHES
✓	✓

MATERIAL

SIZE: DRAWING A

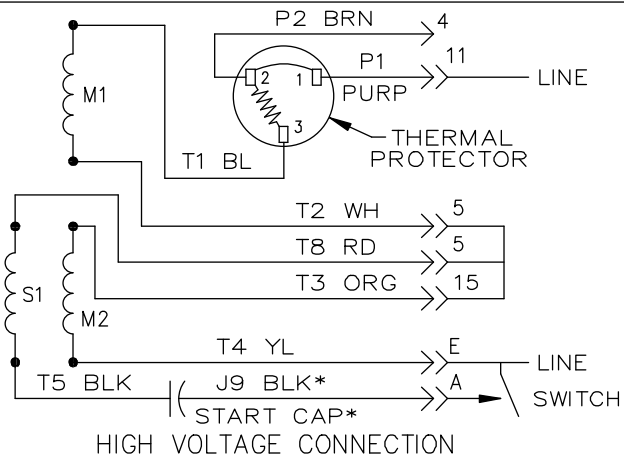
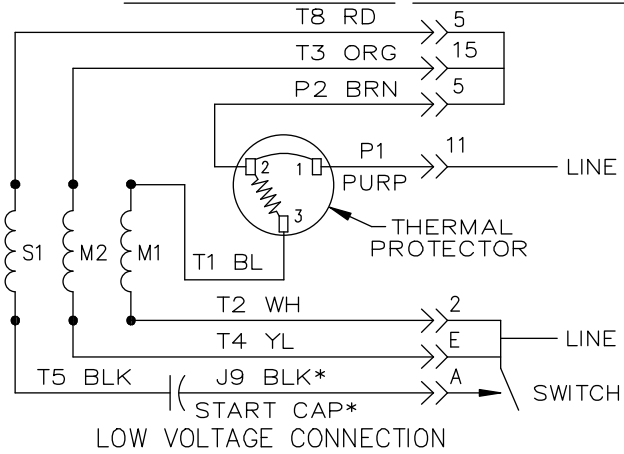
SCALE: 0.250 REF. No.

52A107762

REV 5

SHEET 1 of 1


EITHER ROTATION, DUAL VOLTAGE, TYPE KC OR KH, WITH THERMAL PROTECTION



NOTE #1 - START CAP & J9 WHEN SPECIFIED (*). IF NO CAPACITOR (KH), CONNECT T5 DIRECTLY TO SWITCH (A). WHEN MORE THAN ONE CAPACITOR IS USED, CONNECT IN PARALLEL.

NOTE #2 - TO REVERSE ROTATION, INTER CHANGE RD(T8) AND BLK(J9-KC OR T5-KH) LEADS.

SWITCH REF. - 115D958AB	CONNECTION LABEL	CCW ROTATION: NP52X332051AA
		CW ROTATION: NP52X332051AC

NO.	REVISION	BY & DATE	CHK	ANG	TOLERANCES UNLESS SPECIFIED		FINISH	DRAWING NO.	REV.		
					DEC.	INCHES					
					.X	±0.1	 REGAL-BELOIT CORPORATION TITLE CONNECTION DIAGRAM 30 FRAME SWITCH REDESIGN	DRAWN M.D.P 06/29/87			
					.XX	±0.02		SCALE 1=1			
5	ADDED CONNECTION LABEL PER ECO-0030779	UD 02/06/13	PKG	.XXX	±0.005			CHK			
4	UPDATED PER ISO7-0150	MD 01/23/07		.XXXX	±0.0005	MAT'L.		APPD M.D.P 03/26/96			
								REF			
								FMF			
								PREV			
THIS DRAWING IN DESIGN AND DETAIL IS OUR PROPERTY AND MUST NOT BE USED EXCEPT IN CONNECTION WITH OUR WORK. ALL RIGHTS OF DESIGN AND INVENTION ARE RESERVED. THIS IS AN ELECTRONICALLY GENERATED DOCUMENT - DO NOT SCALE THIS PRINT				RFP		CAD FILE	52A105383AA	SIZE	A	52A105383AA	5
				DIST							